

Plastic Flow Meter Model FK



- ◆ Measuring Range:
1.5-11 to 100-1000 L/h Water
- ◆ Pressure: max. 10 bar
- ◆ Temperature:
max. 100 °C
- ◆ Accuracy:
± 4 % f. s.
- ◆ Material:
Polysulfone or Trogamide-T
- ◆ Connection:
G ¾... G 1½ with
Glue-in Connection DN 10... DN 25

**Cost Effective
Measurement Technology**

INTERIN GmbH
Nordring 24
D-65719 Hofheim/Ts.
Tel: +49 (0)6192 958 612-70
Fax: +49 (0)6192 958 612-99
E-Mail: info@interin.de
Internet: www.interin.de

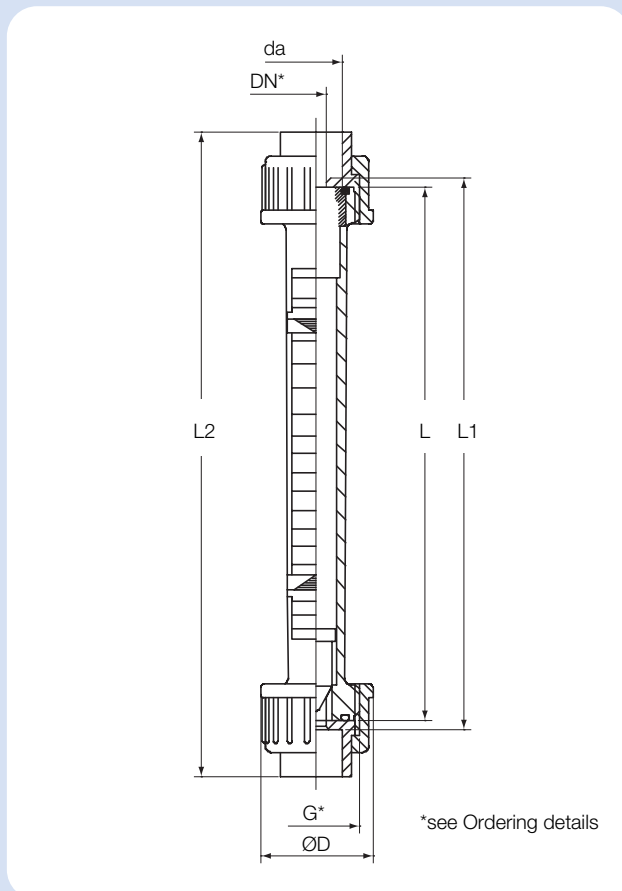
Plastic Flow Meter Model FK

No responsibility taken for errors; subject to change without prior notice. 08 / 2007

Description

The INTERIN plastic flow meters of model FK are based on the well known suspended float principle. All the parts in contact with media are made of synthetic material. The units, thus may be employed where aggressive media are flowing. The flow meter FK has been realised for usage with synthetic pipes.

Dimensions



Technical Details

Housing:	FK-15...: Trogamide-T FK-14...: Polysulfone
Connection:	Glue-in connection PVC
Float:	PVDF
Sealing:	EPDM
Max. temperature:	FK-15...: 60°C FK-14...: 100°C with glue-in connection 60°C
Max. pressure:	PN 10
Installation position:	vertical, flow direction from below
Accuracy:	± 4 % f. s. (class 4 according to VDE/VDI 3513 sheet 2)
Repeatability:	≤ 1 %

Applications

- ◆ Water treatment
- ◆ Plant construction
- ◆ Fish-farming
- ◆ Cooling circuits

Model	da (mm)	L (mm)	L1 (mm)	L2 (mm)	D (mm)
FK-1x05	16	165	171	199	35
FK-1x10	16	165	171	199	35
FK-1x15	16	165	171	199	35
FK-1x20	20	185	191	223	43
FK-1x25	16	165	171	199	35
FK-1x30	20	185	191	223	43
FK-1x35	20	185	191	223	43
FK-1x40	32	200	206	250	60
FK-1x45	32	200	206	250	60
FK-1x50	32	200	206	250	60

Order Details (Example: FK-1505)

Measuring Range L/h H ₂ O	Connection with (without) Glue-in pipe	Pressure Loss (mbar) at Q _{enn}	Trogamide Version	Polysulfone Version
			Order No.	Order No.
1.5 - 11	DN 10 (G 3/4)	4.6	FK-1505	FK-1405
2.5 - 30	DN 10 (G 3/4)	4.6	FK-1510	FK-1410
5 - 50	DN 10 (G 3/4)	4.6	FK-1515	FK-1415
8 - 80	DN 15 (G 1)	4.5	FK-1520	FK-1420
10 - 100	DN 10 (G 3/4)	4.6	FK-1525	FK-1425
20 - 150	DN 15 (G 1)	4.5	FK-1530	FK-1430
30 - 200	DN 15 (G 1)	4.5	FK-1535	FK-1435
30 - 300	DN 25 (G 1 1/2)	8.3	FK-1540	FK-1440
50 - 500	DN 25 (G 1 1/2)	8.3	FK-1545	FK-1445
100 - 1000	DN 25 (G 1 1/2)	8.3	FK-1550	FK-1450